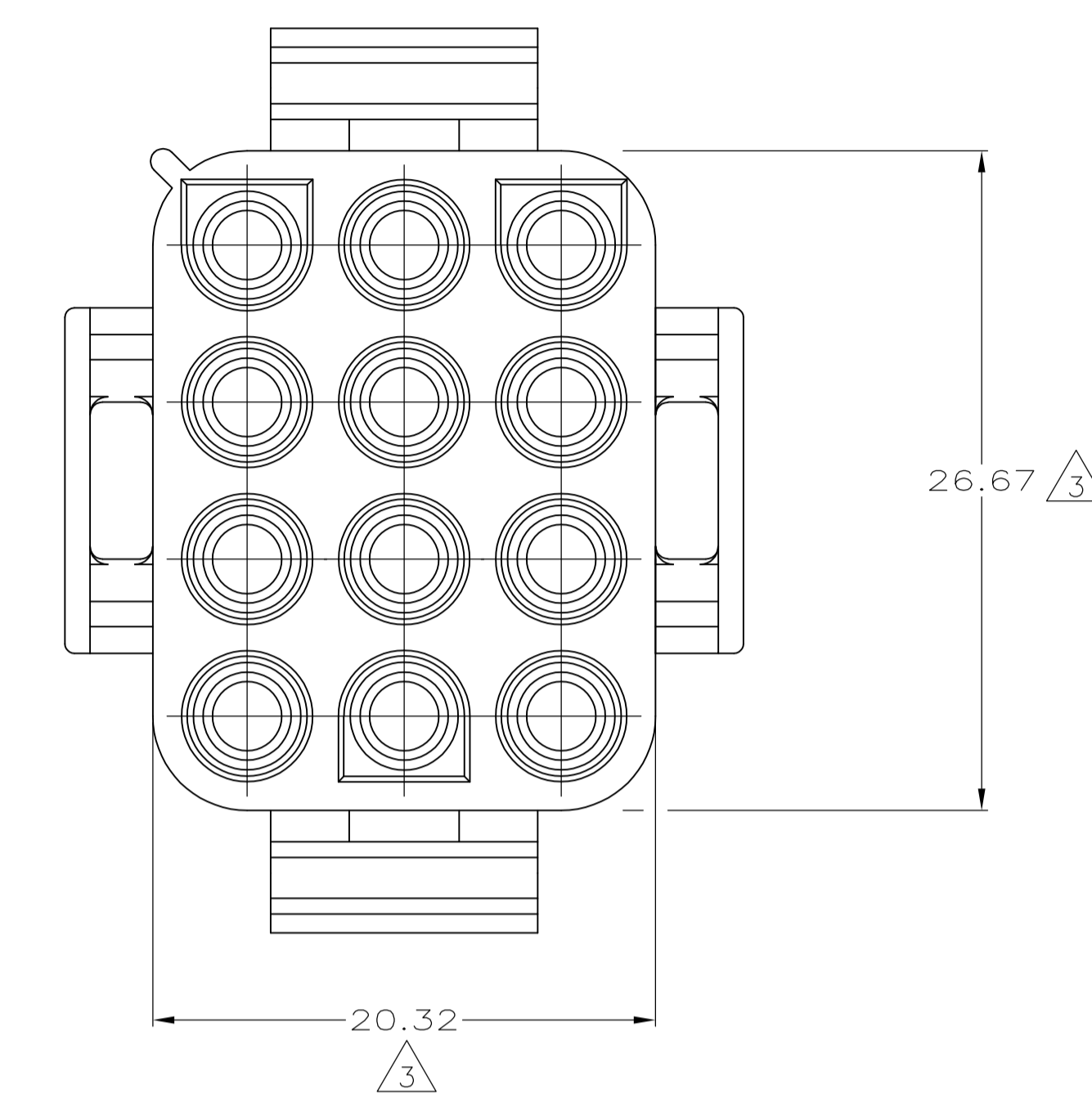
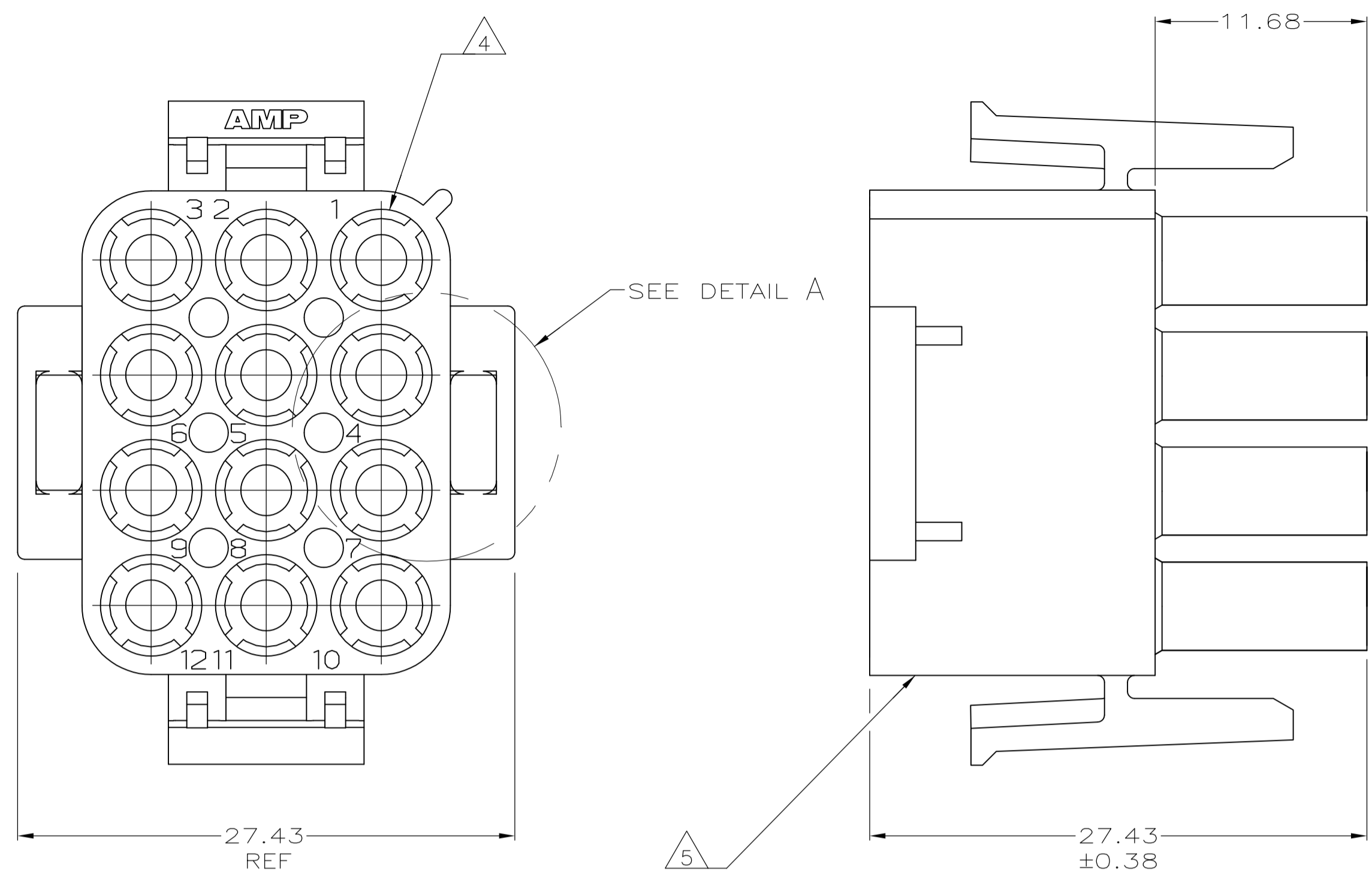
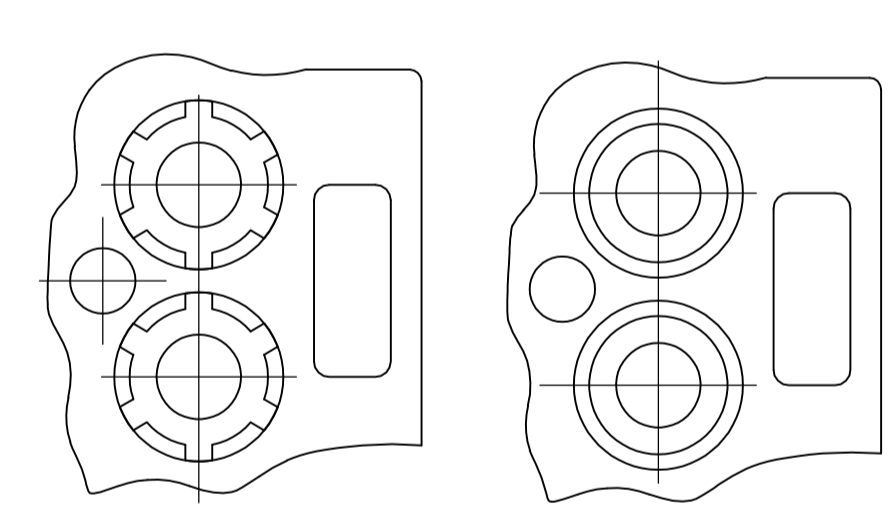
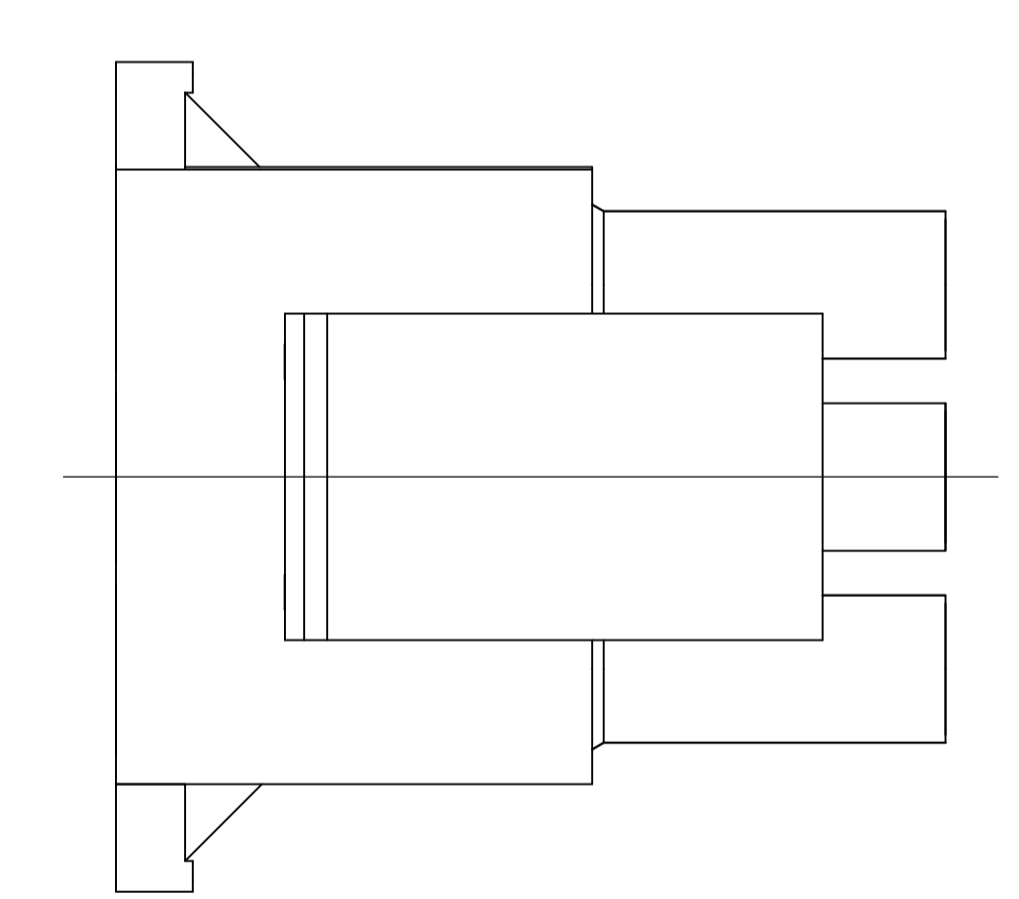


LOC		DIST		REVISIONS			
REV	DATE	BY	APP'D	DESCRIPTION	DATE	BY	APP'D
CM	53	B1		REVISED PER ECO-08-022511	11SEP08	HMR	DC



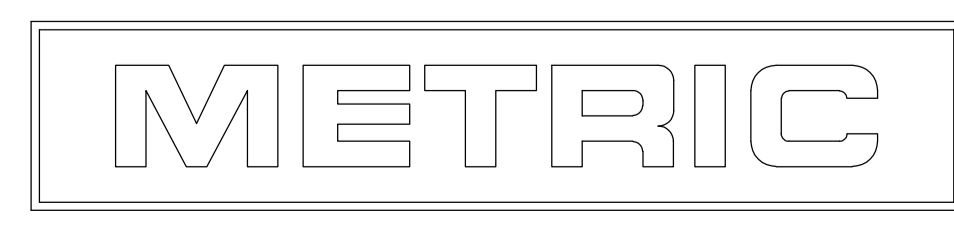
- 1 MATES WITH APPROPRIATE UNIVERSAL MATE-N-LOK™ CAP OR HEADER.
- 2 SMALL NICKS ARE PERMITTED ON THE CIRCUIT TOWERS WHICH COULD INCREASE THE INITIAL HOUSING MATING FORCE BY UP TO 4.4 NEWTONS [1.0 LBS]. NO INDIVIDUAL NICKED TOWER SHALL INCREASE THIS FORCE BY OVER 2.2 NEWTONS [.5 LBS].
- 3 DIMENSION INDICATED IS AS MOLDED. ADDITIONAL GROWTH DUE TO SUBSEQUENT MOISTURE ABSORPTION MAY OCCUR.
- 4 FOUR RIBS EQUALLY SPACED, NO SPECIFIC ORIENTATION. NO RIBS OR SIX RIBS EQUALLY SPACED, NO SPECIFIC ORIENTATION, OPTIONAL.
- 5 UNDERWRITERS RECOGNIZED COMPONENT LOGO AND CSA CERTIFICATION LOGO TO BE LOCATED ONCE EACH ON SIDE OF HOUSING.
- 6 150° C TEMPERATURE RATING FOR THIS HOUSING IS FOR SHORT TERM DURATION. MAX OPERATING TEMPERATURE REMAINS 125° C.
- 7 PHOSPHOR BRONZE CONTACTS SHOULD ALWAYS BE USED WITH THIS HOUSING.



DETAIL A  
OPTIONAL CONSTRUCTION

MM	IN
27.43	1.080
26.67	1.050
20.32	.800
11.68	.460
0.38	.015
0.13	.005
MM	IN

CONVERSION TABLE  
4805 (1/08)



THIS DRAWING IS A CONTROLLED DOCUMENT.

DIMENSIONS: INCHES	TOLERANCES UNLESS OTHERWISE SPECIFIED:	DWG: K. WHITAKER 16-MAY-2001	CHK: S. RIDGILL 16-MAY-2001	APVD: S. RIDGILL 16-MAY-2001	NAME: Tyco Electronics Corporation Harrisburg, PA 17105-3608
0. PLC ± -	1. PLC ± -	Tyco Electronics Corporation		Harrisburg, PA 17105-3608	
2. PLC ± 0.13	3. PLC ± -	PLUG, 12 CIRCUIT, UNIVERSAL MATE-N-LOK		RESTRICTED TO	
4. PLC ± -	ANGLES ± 0°30'	SIZE: A1	CAGE CODE: 00779	DRAWING NO: 794851	REVISION: B1
MATERIAL: NYLON, UL 94V-2 HIGH TEMP	FINISH: -	WEIGHT: -	CUSTOMER DRAWING	SCALE: 4:1	SHEET: 1 OF 1